

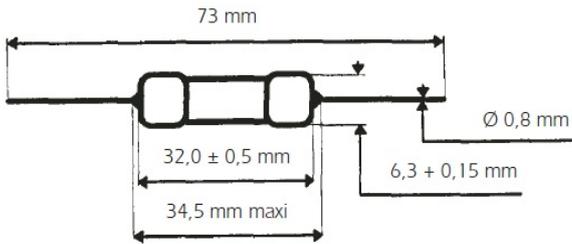
## Miniature Fuses

Axial leads 6x32  
FA "AL" Very Fast Acting  
500V from 0.1 to 6.3A



Approvals UL recognized E 76491

### Dimensions



### Installation instructions

Soldering heat resistance : according IEC 68-2-20 / 260°C for 10 seconds

Materials: body: Ceramic tube

Materials: contact: Tin-plated copper

Product weight: 2.8g max.

Packaging: In tape per 1500 pieces

Size	Catalog Number	Reference Number	Rated Voltage (V)	Nominal Current (A)	Breaking capacity @ Nominal current (A)	Pre-arcing I <sup>2</sup> t @ Rated voltage (A <sup>2</sup> s)	Clearing I <sup>2</sup> t @ Rated Voltage (A <sup>2</sup> s)	Max. voltage drop (V)
6.3x32	MI6FAP50V0.1	A208196	500	0.1	Cos $\mu \geq 0.2^*$	0.00057	0.002	2.75
6.3x32	MI6FAP50V0.125	B208197	500	0.125	Cos $\mu \geq 0.2^*$	0.00077	0.003	2.6
6.3x32	MI6FAP50V0.16	C208198	500	0.16	Cos $\mu \geq 0.2^*$	0.002	0.008	2
6.3x32	MI6FAP50V0.2	D208199	500	0.2	Cos $\mu \geq 0.2^*$	0.0046	0.017	1.7
6.3x32	MI6FAP50V0.25	E208200	500	0.25	Cos $\mu \geq 0.2^*$	0.009	0.035	1.55
6.3x32	MI6FAP50V0.315	F208201	500	0.315	Cos $\mu \geq 0.2^*$	0.016	0.06	1.45
6.3x32	MI6FAP50V0.4	G208202	500	0.4	Cos $\mu \geq 0.2^*$	0.03	0.11	1.4
6.3x32	MI6FAP50V0.5	H208203	500	0.5	Cos $\mu \geq 0.2^*$	0.05	0.2	1.4
6.3x32	MI6FAP50V0.63	J208204	500	0.63	Cos $\mu \geq 0.2^*$	0.12	0.45	1.15
6.3x32	MI6FAP50V0.8	K208205	500	0.8	Cos $\mu \geq 0.2^*$	0.25	0.92	1
6.3x32	MI6FAP50V1	N207104	500	1	Cos $\mu \geq 0.2^*$	0.11	0.3	0.71
6.3x32	MI6FAP50V1.25	M208207	500	1.25	Cos $\mu \geq 0.2^*$	0.26	0.75	0.55
6.3x32	MI6FAP50V1.6	N208208	500	1.6	Cos $\mu \geq 0.2^*$	0.39	1.1	0.65
6.3x32	MI6FAP50V2	P208209	500	2	Cos $\mu \geq 0.2^*$	0.81	2.2	0.55
6.3x32	MI6FAP50V2.5	Q208210	500	2.5	Cos $\mu \geq 0.2^*$	1.44	4	0.52
6.3x32	MI6FAP50V3.15	R208211	500	3.15	Cos $\mu \geq 0.2^*$	2.46	7	0.53
6.3x32	MI6FAP50V4	S208212	500	4	Cos $\mu \geq 0.2^*$	4.6	14	0.48
6.3x32	MI6FAP50V5	T208213	500	5	Cos $\mu \geq 0.2^{**}$	11	30	0.37
6.3x32	MI6FAP50V6.3	C208037	500	6.3	Cos $\mu \geq 0.2^{**}$	1	20	0.22

\*200kA Cos  $\mu \geq 0.2$

\*\*20kA Cos  $\mu \geq 0.2$



Shah & Shah Enterprise

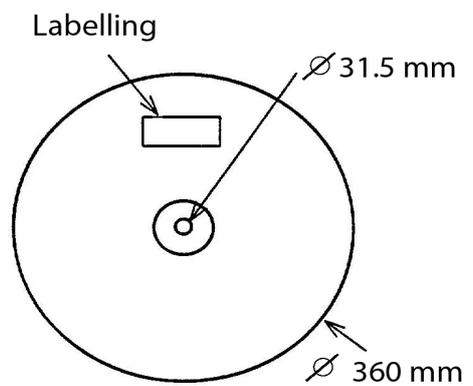
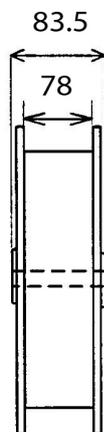
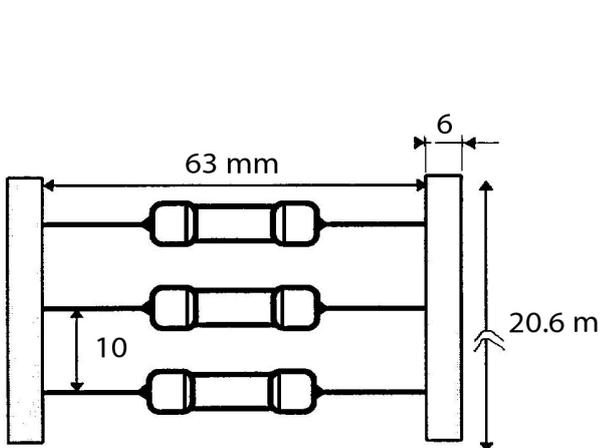
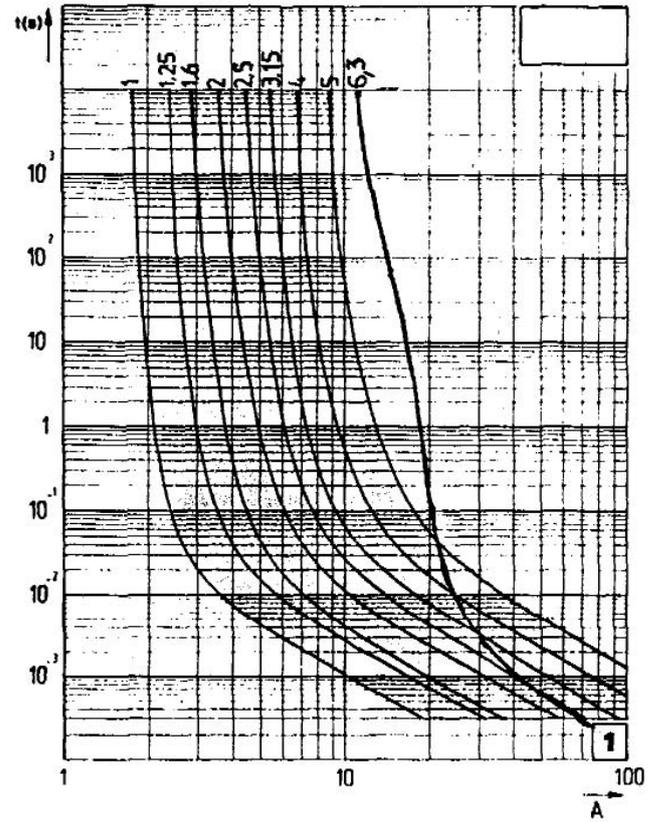
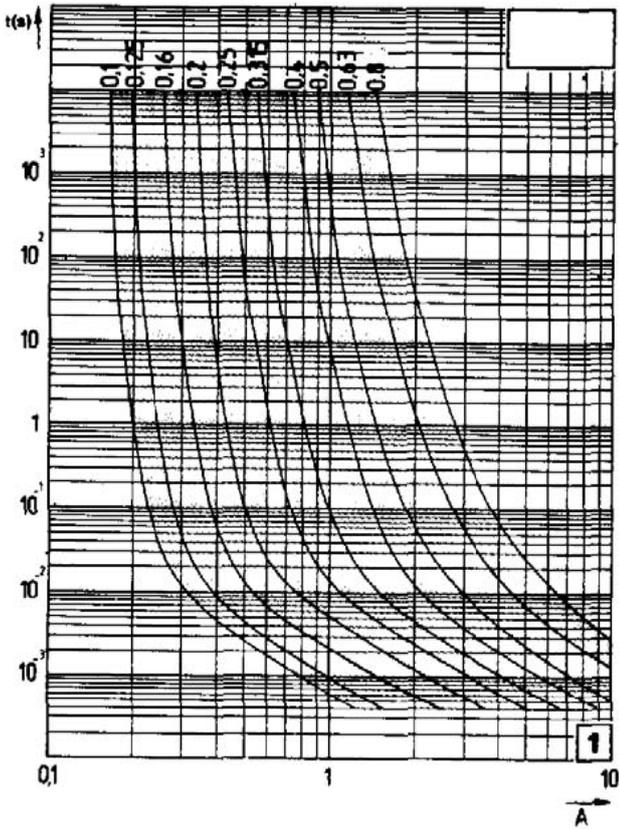
[www.shahent.co.in](http://www.shahent.co.in)

## Miniature Fuses

Axial leads 6x32  
FA "AL" Very Fast Acting  
500V from 0.1 to 6.3A



### Time Current Curves



Shah & Shah Enterprise

[www.shahent.co.in](http://www.shahent.co.in)